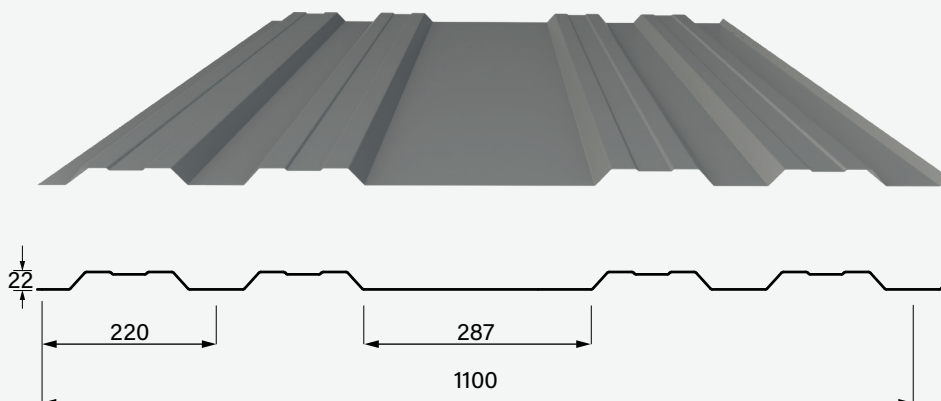


22/1100 SOLAR



Technical properties

Profile plate type	Steel thickness [mm]	Weight [kg/m ²]
22/1100 SOLAR	0.55	4.9
	0.63	5.6
	0.70	6.2
	0.75	6.7
	0.88	7.9
	1.00	8.9

Steel grade S280GD, S320GD
Coatings Prisma® 65 (special coil, not in stock)

Dimensions Standard 600 - 11,500
Length [mm] Minimum 700
 Maximum 13,000

Packaging Max. number per package 75 off
 Max. weight per package 2,000kg

Certificates



Maximum span Max. - mm